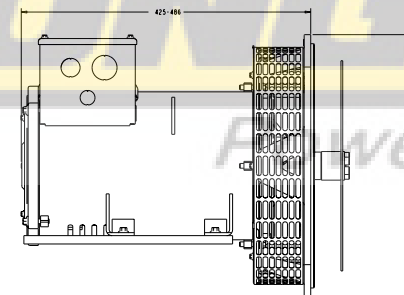
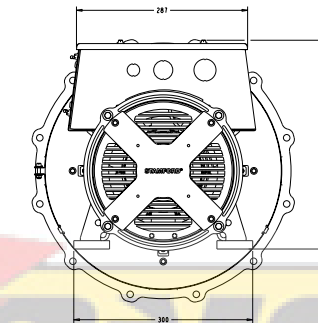




Engineered with you in mind

You told us what you looked for in an alternator and we listened. With the new **STAMFORD S0 & S1** we have gone back to the drawing board and engineered the most user-friendly alternators on the market.

- 20% quicker assembly time
- Adaptable feet for zero re-engineering
- Leading compactness
- Guaranteed STAMFORD quality



| MODEL | S0 | S1 |
|--------------------------------|--------------------------|--------------------------|
| Ratings at 50Hz (kVA) | 7.5 - 30 | 35 - 62.5 |
| Ratings at 60Hz (kVA) | 9 - 36 | 42 - 75 |
| Specifications | | |
| Voltage Range (@50Hz, 3 Phase) | 400/415 | 400/415 |
| Voltage Range (@60Hz, 3 Phase) | 480 | 480 |
| Poles | 4 | 4 |
| Technology | Wire Wound | Wire Wound |
| AVR | Analogue | Analogue |
| Voltage Sensing | 2 Phase | 2 Phase |
| Bearing Arrangement | Single | Single |
| SAE Adaptors | 3, 4, 5 | 3, 4, GM |
| Terminals | 12 | 12 |
| Material Insulation Class | H | H |
| Excitation System | Self Exciting | Self Exciting |
| Ingress Protection | IP23 | IP23 |
| Optional Features | | |
| Excitation System | Auxiliary Winding* | Auxiliary Winding |
| Output Configurations | 1 Phase Reconnection | 1 Phase Reconnection |
| Environmental Protection | Anti-Condensation Heater | Anti-Condensation Heater |
| Designed For | | |
| Standby Power | ✓ | ✓ |
| Telecommunications | ✓ | ✓ |
| Construction | ✓ | ✓ |
| Combined Heat & Power | ✓ | ✓ |
| Critical Protection & UPS | ✓ | ✓ |
| Continuous Power | ✓ | ✓ |
| Prime Movers | | |
| Diesel Engine | ✓ | ✓ |
| Gas Engine | ✓ | ✓ |

* Auxiliary Winding not available for 7.5 to 15 kVA