

Low Voltage

STAMFORD®

P80

Model	P80 LV	P80 MV	P80 HV
Maximum continuous rating at 50Hz (kVA)	3,911	4,253	3,875
Maximum continuous rating at 60Hz (kVA)	4,464	5,190	4,750

Specifications

Voltage Range	380-690	3,300-4,160	6,000-13,800
Poles	4		
Technology	Wire Wound	Bar Wound	Bar Wound
AVR	Digital		
Voltage sensing	3-Phase		
Bearing Arrangement	Double		
SAE Adaptors	0, 00		
Terminals	6		
Material Insulation Class	H	H	F
Excitation System	PMG		
Ingress Protection	IP23		
Temperature monitoring	Winding RTDs		
Connection with other machines	Paralleling capability		

Optional Features

Bearing Arrangement	Single		
Ingress Protection	IP23 Air Filters		
Temperature monitoring	Thermistors		
Environmental protection	Anti-condensation Heaters		

Designed For

Power Plant	●	●	●
Grid Code Compatible	●	●	●
Marine Propulsion			
Marine Auxiliary			
Oil & Gas			
Combined Heat & Power	●	●	●
Critical Protection & UPS	●	●	●
Continuous Power & Standby	●	●	●

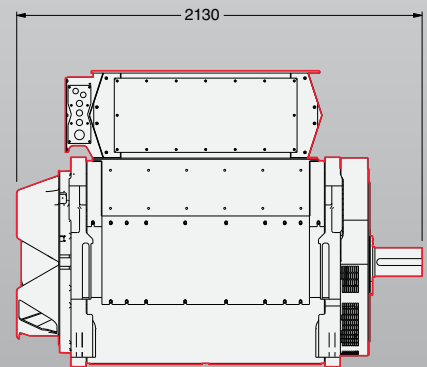
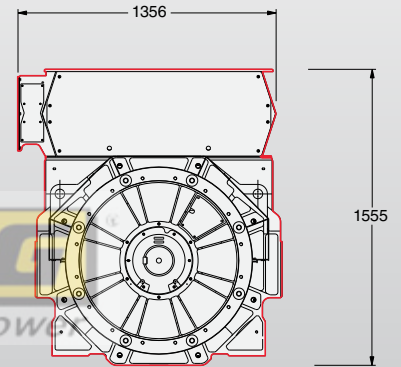
Prime Movers

Diesel Engine	●	●	●
Gas Engine	●	●	●
Gas Turbine	●	●	●
Steam Turbine	●	●	●



DIMENSIONS

Drawings represent standard design
 All dimensions in millimetres (mm)



High Voltage

1,250 - 4,000 kVA

1,000 - 4,000 kVA